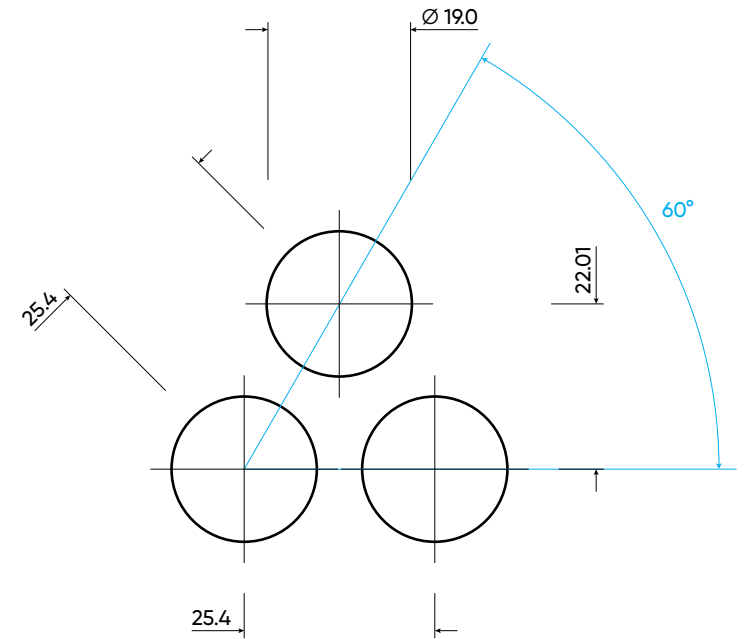


Actual Size



Specs



Victoria
P 03 8405 3609
26 Yale Drive
Epping VIC 3076

New South Wales
P 02 8292 1104
29 Broadhurst Road
Ingleburn NSW 2565

Queensland
P 07 3063 1202
2/17 Learoyd Road
Acacia Ridge QLD 4110

South Australia
P 08 7078 5922
5 Woodlands Terrace
Edwardstown SA 5039

rapidperf.com.au

Hole Size	Ø 19.0mm
Pitch	25.4mm
Open Area	51%